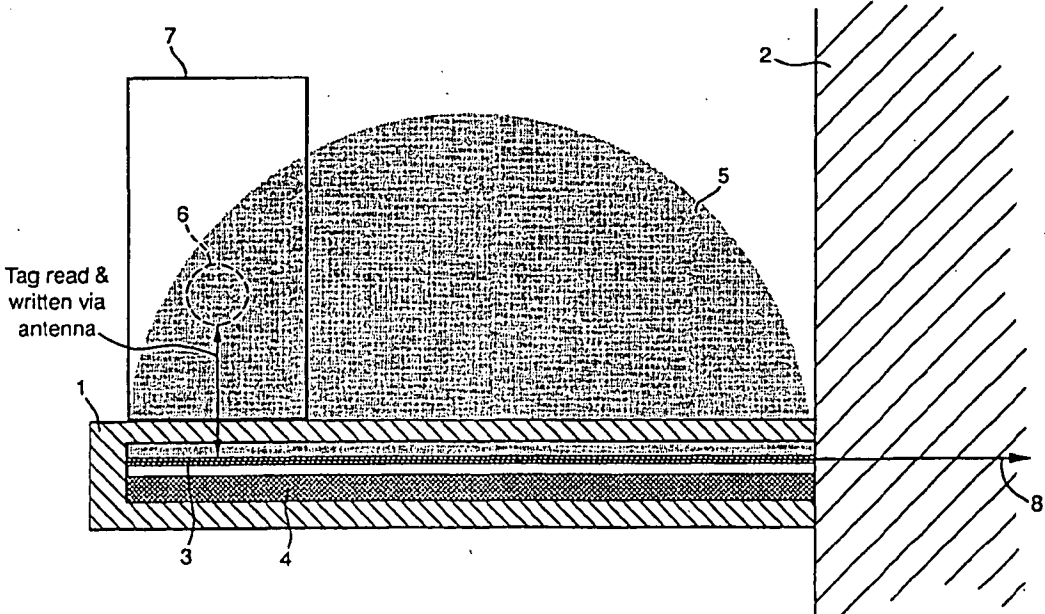




INTERNATIONAL APPLICATION PUBLISHED UNDER THE PATENT COOPERATION TREATY (PCT)

<p>(51) International Patent Classification ⁷ : G06K 17/00</p>	<p>A1</p>	<p>(11) International Publication Number: WO 00/65532 (43) International Publication Date: 2 November 2000 (02.11.00)</p>
<p>(21) International Application Number: PCT/US00/11304 (22) International Filing Date: 27 April 2000 (27.04.00) (30) Priority Data: 99303314.1 28 April 1999 (28.04.99) EP (71) Applicant (for all designated States except US): THE PROCTER & GAMBLE COMPANY [US/US]; One Procter & Gamble Plaza, Cincinnati, OH 45202 (US). (72) Inventor; and (75) Inventor/Applicant (for US only): ASHTON, Kevin, John [GB/GB]; 8 St. Giles Road, London SE5 7RL (GB). (74) Agents: REED, T., David et al.; The Procter & Gamble Company, 5299 Spring Grove Avenue, Cincinnati, OH 45217-1087 (US).</p>	<p>(81) Designated States: AE, AL, AM, AT, AT (Utility model), AU, AZ, BA, BB, BG, BR, BY, CA, CH, CN, CR, CU, CZ, CZ (Utility model), DE, DE (Utility model), DK, DK (Utility model), DM, EE, EE (Utility model), ES, FI, FI (Utility model), GB, GD, GE, GH, GM, IR, IU, ID, IL, IN, IS, JP, KE, KG, KP, KR, KZ, LC, LK, LR, LS, LT, LU, LV, MA, MD, MG, MK, MN, MW, MX, NO, NZ, PL, PT, RO, RU, SD, SE, SG, SI, SK, SK (Utility model), SL, TJ, TM, TR, TT, TZ, UA, UG, US, UZ, VN, YU, ZA, ZW, ARIPO patent (GH, GM, KE, LS, MW, SD, SL, SZ, TZ, UG, ZW), Eurasian patent (AM, AZ, BY, KG, KZ, MD, RU, TJ, TM), European patent (AT, BE, CH, CY, DE, DK, ES, FI, FR, GB, GR, IE, IT, LU, MC, NL, PT, SE), OAPI patent (BF, BJ, CF, CG, CI, CM, GA, GN, GW, ML, MR, NE, SN, TD, TG).</p> <p>Published With international search report.</p>	

(54) Title: STORAGE SYSTEM



(57) Abstract

A storage system has one or more supports, for example, shelves (1) and, one or more sensors (3) which are arranged to detect the presence of transponders (6) associated with items (7) to be stored on the shelves. Information can thus be from the transponders, and transmitted to, for example, a data processing unit.

FOR THE PURPOSES OF INFORMATION ONLY

Codes used to identify States party to the PCT on the front pages of pamphlets publishing international applications under the PCT.

AL	Albania	ES	Spain	LS	Lesotho	SI	Slovenia
AM	Armenia	FI	Finland	LT	Lithuania	SK	Slovakia
AT	Austria	FR	France	LU	Luxembourg	SN	Senegal
AU	Australia	GA	Gabon	LV	Latvia	SZ	Swaziland
AZ	Azerbaijan	GB	United Kingdom	MC	Monaco	TD	Chad
BA	Bosnia and Herzegovina	GE	Georgia	MD	Republic of Moldova	TG	Togo
BB	Barbados	GH	Ghana	MG	Madagascar	TJ	Tajikistan
BE	Belgium	GN	Guinea	MK	The former Yugoslav Republic of Macedonia	TM	Turkmenistan
BF	Burkina Faso	GR	Greece	ML	Mali	TR	Turkey
BG	Bulgaria	HU	Hungary	MN	Mongolia	TT	Trinidad and Tobago
BJ	Benin	IE	Ireland	MR	Mauritania	UA	Ukraine
BR	Brazil	IL	Israel	MW	Malawi	UG	Uganda
BY	Belarus	IS	Iceland	MX	Mexico	US	United States of America
CA	Canada	IT	Italy	NE	Niger	UZ	Uzbekistan
CF	Central African Republic	JP	Japan	NL	Netherlands	VN	Viet Nam
CG	Congo	KE	Kenya	NO	Norway	YU	Yugoslavia
CH	Switzerland	KG	Kyrgyzstan	NZ	New Zealand	ZW	Zimbabwe
CI	Côte d'Ivoire	KP	Democratic People's Republic of Korea	PL	Poland		
CM	Cameroon	KR	Republic of Korea	PT	Portugal		
CN	China	KZ	Kazakstan	RO	Romania		
CU	Cuba	LC	Saint Lucia	RU	Russian Federation		
CZ	Czech Republic	LI	Liechtenstein	SD	Sudan		
DE	Germany	LK	Sri Lanka	SE	Sweden		
DK	Denmark	LR	Liberia	SG	Singapore		
EE	Estonia						

STORAGE SYSTEM

The present invention relates to storage systems and, more particularly, to storage systems of the type used to display items in a supermarket or the like. The term 'storage' is thus used in the context of the present application to mean a system on or in which items may be held temporarily or semi-permanently until moved therefrom, such as display shelving systems in retail outlets and the like, warehouse shelving, etc.

A number of difficulties exist in factories, wholesale outlets, and retail outlets such as supermarkets, in maintaining a stock of items and displaying items for sale to shoppers, etc. In particular in a retail outlet, it is necessary for the stocking of items on the shelves and similar supports to be monitored and, conventionally, this involves personnel carrying out a visual check and/or count in order to ensure that items are always available for purchase. However, this is obviously both time-consuming, prone to error, and expensive in staff costs. Additionally, changes in the pricing of items have to be indicated on the shelf and this again requires staff intervention. In both of these processes, monitoring and price adjustment, mistakes by staff can cause considerable annoyance and additional work.

The present invention is aimed at applying a system which can be used to overcome these problems as well as create additional advantages.

According to the present invention there is provided a storage system comprising one or more supports and, associated with the supports, one or more sensors arranged to detect the presence of transponders associated with items to be stored on the supports, to read information from the transponders, and to transmit information read from the transponders to, for example, a data processing unit.

The storage system may be a shelving system, for example, a display system as used in retail outlets or the like, or in warehouses etc.

An inventory control system may include a storage system as defined above, together with a data processing unit arranged to receive information the sensor or sensors.

The data processing unit is preferably a computer system programmed to maintain a database of information about individual items for stock control purposes and the like.

In particular, the transponders may comprise RFID or multi-bit magnetic tags which may be attached to or otherwise integrally associated with items to be stored and

displayed on the shelves.

By using such a system it is possible to detect or infer the presence, absence and removal of items from a support, eg. a shelf, either in real time or close to real time via continuous or continual intermittent polling.

The system may be used in a number of ways to manage logistics and inventory of items, for example, to analyse the level of stock of items on individual supports such as shelves and, via a computer system, trigger replenishment when the number of items falls below a pre-determined threshold level. The supports may be provided with electronic displays so as to display the prices of items and other information if desired, enabling price changes to be indicated substantially instantaneously. The location and quantity of items can also be checked for compliance with agreed plans and designs and misplaced items may also be readily located by means of such a system.

Accurate data about the off-take of items, for example, how many times an item is picked up and replaced before purchase, the effects of changes in store environment, e.g. signage, position, etc., and the identification of unusual shelf activity, e.g. the removal of large volumes of generally slow-moving items, may all be provided by such a system.

A number of examples of systems according to the present invention will now be described with reference to the accompanying drawings in which Figs. 1 to 5 each provide a diagrammatic cross-sectional view of a storage system in the form of a shelving system intended for reading radio frequency ID tags (RFID tags) which may be attached to or embedded in the packaging of individual items displayed for sale.

Fig. 1 illustrates a basic example in which a shelf 1 is supported from a wall panel or the like 2 along its rear edge, the shelf carrying, along its length, one or more antennas 3 which are shielded by appropriate shielding 4 from the shelf below and which, in effect, provide an antenna field 5 for the location and reading of information on RFID tags 6 attached to or embedded within items 7 disposed on the shelf 1. The RFID tags (which are conventional) each consist of an integrated circuit attached to a radio antenna affixed to substrate, and the shelf can send and receive digital data to the receiving antennae of the tags via radio signals at frequencies of the electro-magnetic spectrum including 125khz, 13.56mhz and 2.45ghz.

The or each antenna 3 is connected via a suitable cable 8 or else via wireless transmission to a computerized inventory control system which maintains a database which is updated by information supplied from the RFID tags 6 via the antennas 3.

Fig. 2 illustrates a modified design in which items 7 are intended to be slung beneath a shelf 1 which includes a hook or similar device to hold the items. Again, appropriate shielding can be provided for the antenna 3.

More complex designs may be necessary where items are intended for stacking one on top of another, because individual items may act as shields for the tag reading system by attenuating the radiation, so as to cause some tags to be unread. A more complex design is shown in Fig. 3 in which a pair of antennas are provided, one on the underside of an upper shelf 1 and another on the top of a lower shelf 1'.

Still more complex designs, such as that shown in Fig. 4 may be provided where multiple items may be stacked on top of one another, in this case, a further antenna 3 being disposed adjacent to the wall panel 2 or the like. Each of the antennas shown in Fig. 4 is disposed to detect a different set of tags depending upon the range and interference from the items themselves. Depending upon the information supplied by each tag, the computer system to which the antennas are attached will be able to identify or at least infer the number of products on the shelf.

An alternative approach indicated in Fig. 5, is the use of shelf antennas that can detect at different frequencies or different field sizes indicated by the different antenna fields 5, 5'. The system may be used in combination with a further antenna 3 located, for example, as shown, in an opposing shelf.

It will be readily apparent that a very wide number of possible configurations is available, depending upon the type of tags used, the items intended to be displayed, etc., and the present invention is not limited to any particular combination.

A system of this type is capable of providing monitoring and tracking of items in real time or close to real time with a high degree of accuracy and precision without the need for manual intervention. This overcomes the currently labour-intensive shelf checking systems presently used and enables a number of problems to be overcome such as misplacement of items, failure to replenish removed of items with sufficient speed, non-detection of shelf "sweeping" by thieves, failure to reorder stolen or shrunken stock and the need to conduct laborious stock checks on a regular basis.

Additionally, the tags may be read by appropriate checkout systems also connected to the computerized inventory system, providing additional information and verification.

CLAIMS

1. A storage system comprising one or more supports and, associated with the supports, one or more sensors arranged to detect the presence of transponders associated with items to be stored on the supports, to read information from the transponders, and to transmit information read from the transponders to, for example, a data processing unit.
2. A storage system according to claim 1, wherein at least one sensor is arranged to receive signals from a transponder comprising an RFID tag.
3. A storage system according to claim 1, wherein at least one sensor is arranged to receive signals from a transponder comprising a multi-bit magnetic tag.
4. A storage system according to any of claims 1 to 3, wherein one or more of the supports includes an electronic character display.
5. A storage system according to any of the preceding claims, wherein the supports comprise shelves.
6. An inventory control system including a storage system according to any of claims 1 to 5, and a data processing unit arranged to receive information the sensor or sensors.
7. An inventory control system according to claim 6, wherein the data processing unit is a computer system programmed to maintain a database of information about individual items held on the supports for stock control purposes and the like.
8. An inventory control system according to claim 6 or claim 7, including software to analyse the level of stock of items on individual shelves and provide a signal indicative of the requirement for replenishment of the items when the number of items falls below a pre-determined threshold level.
9. A system according to any of claims 6 to 8, when dependent on claim 5,

including means for passing information to a shelf display so as to display the prices of shelved items and/or other information, enabling price changes to be indicated substantially instantaneously when changes are made in the data processing unit.

10. A system according to any of claims 6 to 9, including means for checking the location and/or quantity of items at a given shelf location and providing an indication of misplaced items.

11. A system according to any of claims 6 to 10, including means for providing an indication of the removal of large numbers of items usually sold singly or in small numbers from a shelf location.

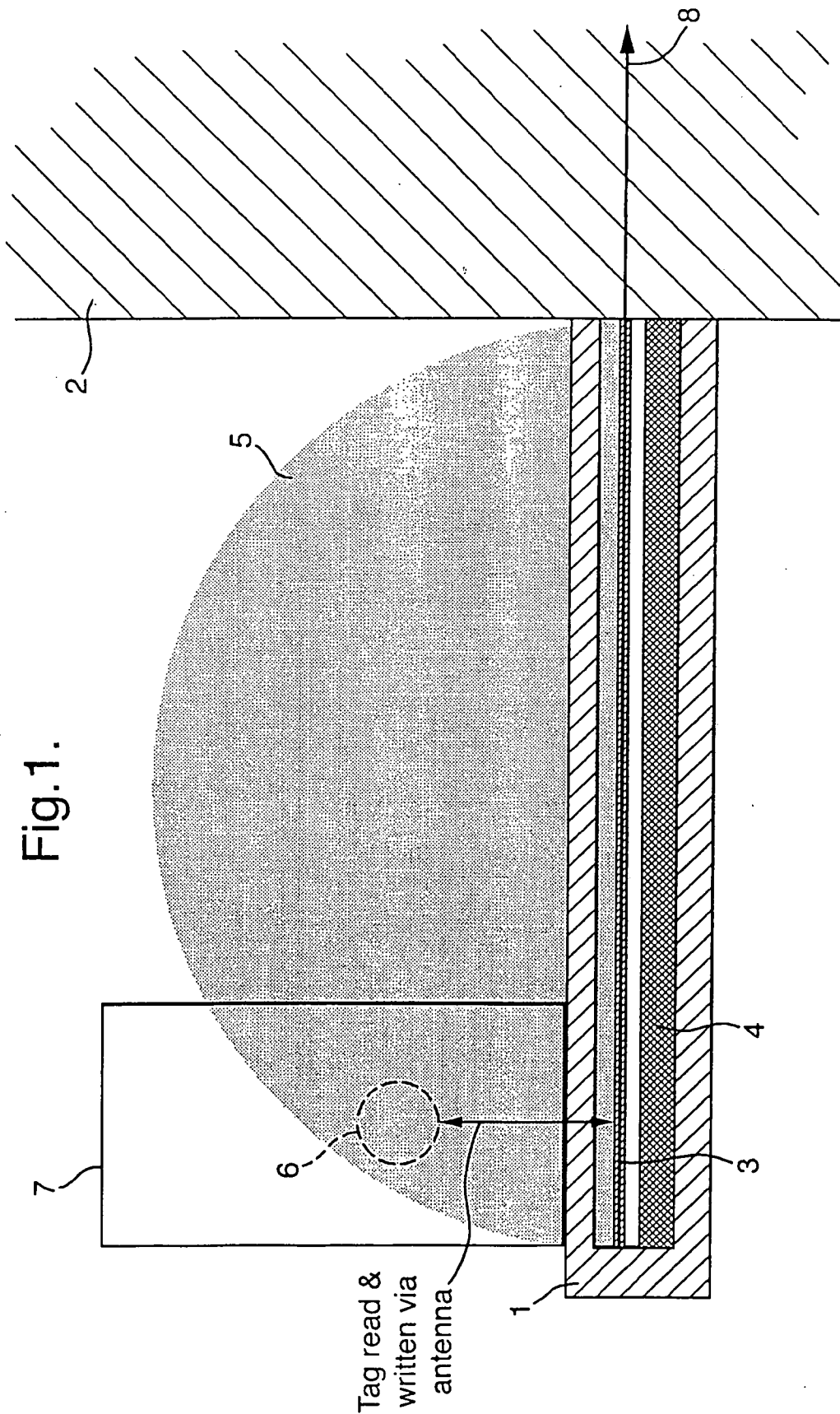
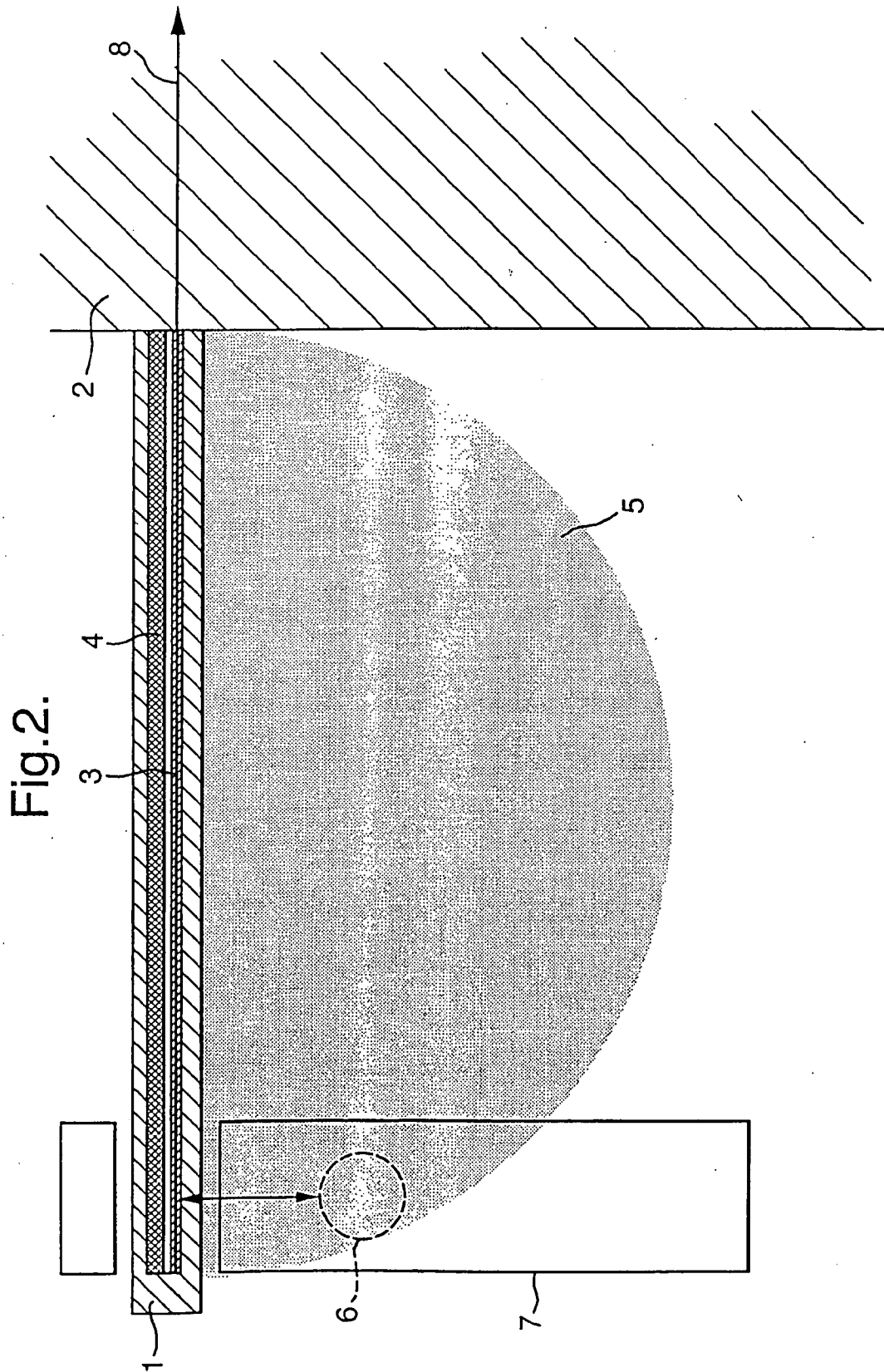


Fig.1.



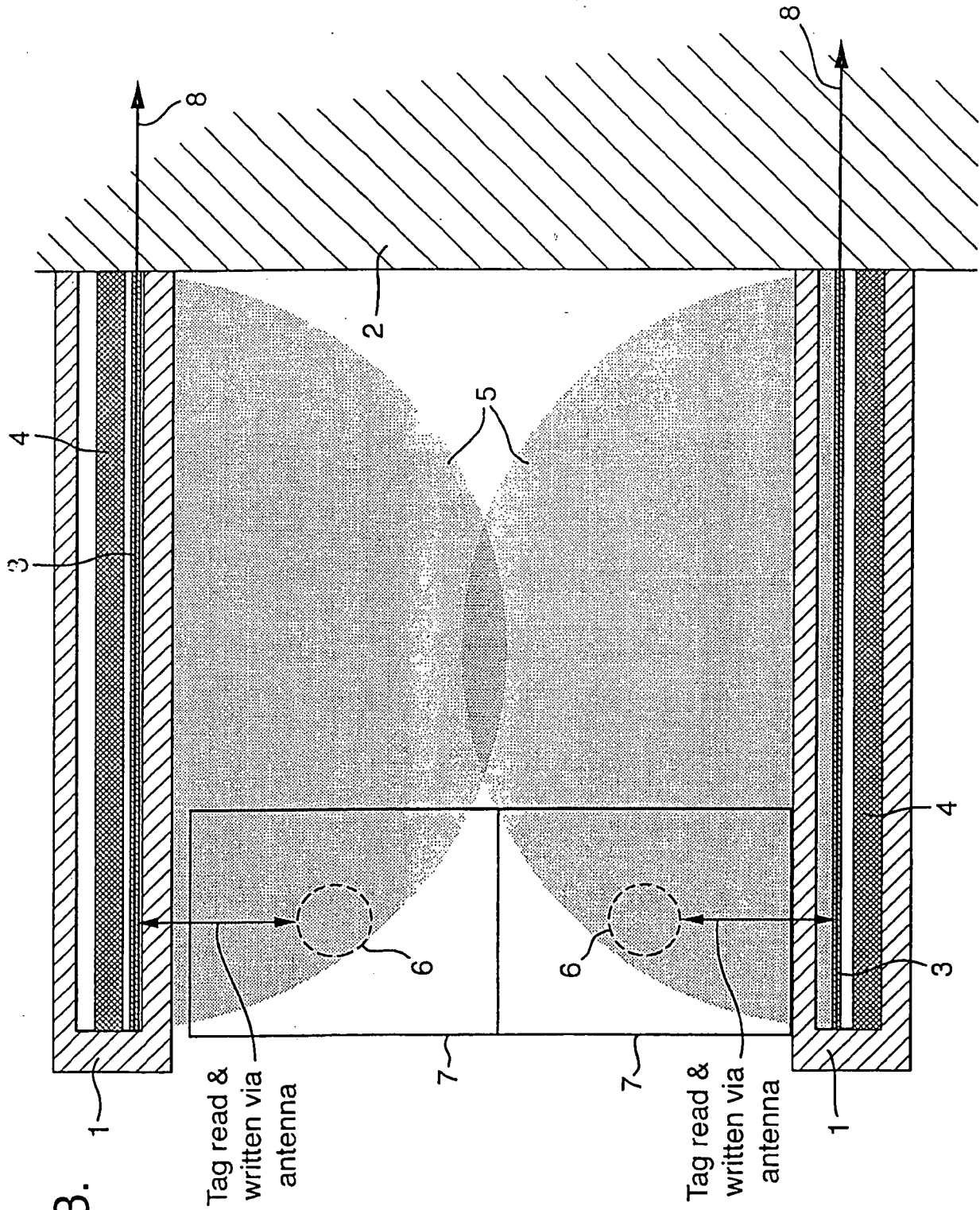


Fig.3.

Tag read & written via antenna

Tag read & written via antenna

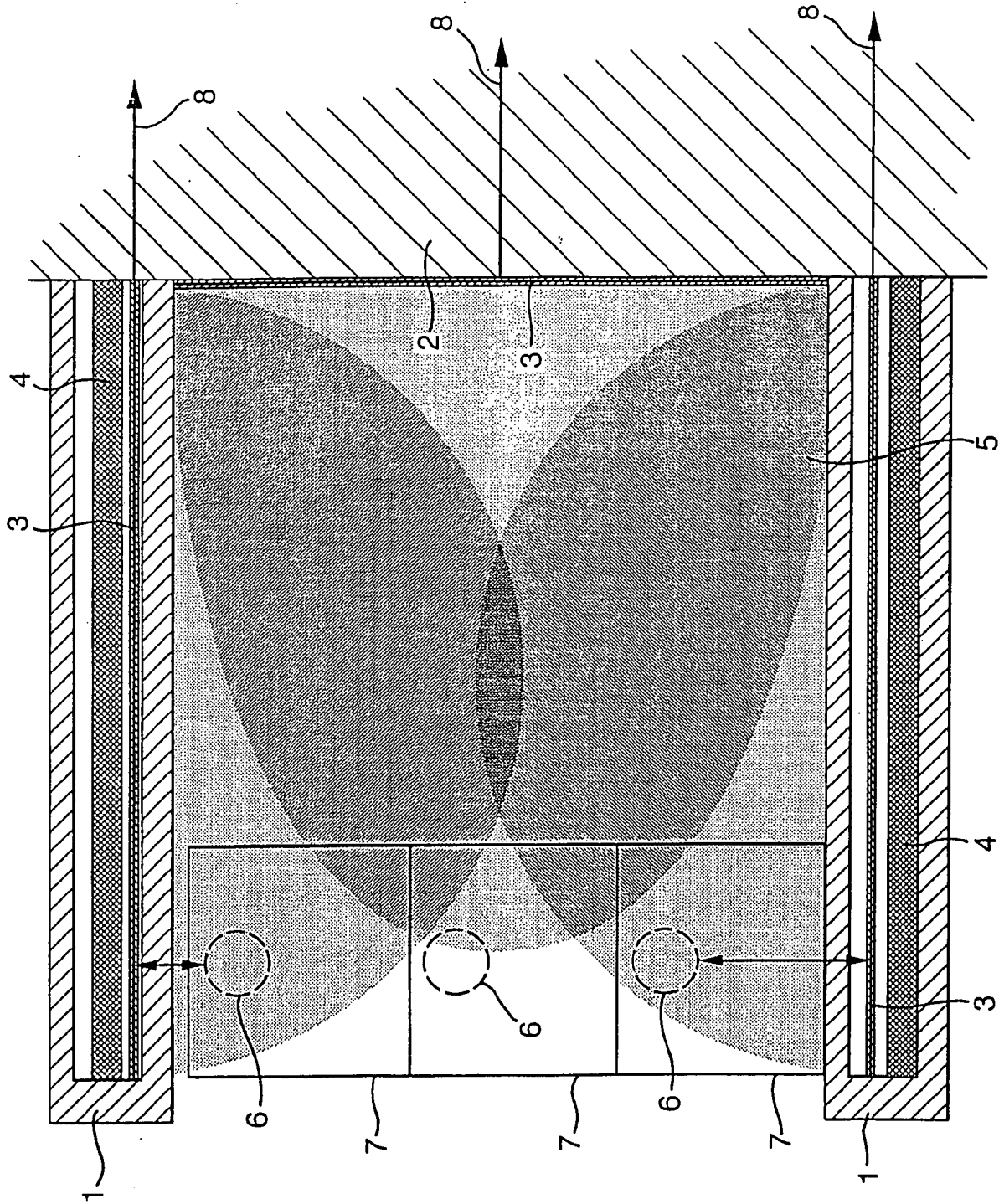


Fig.4.

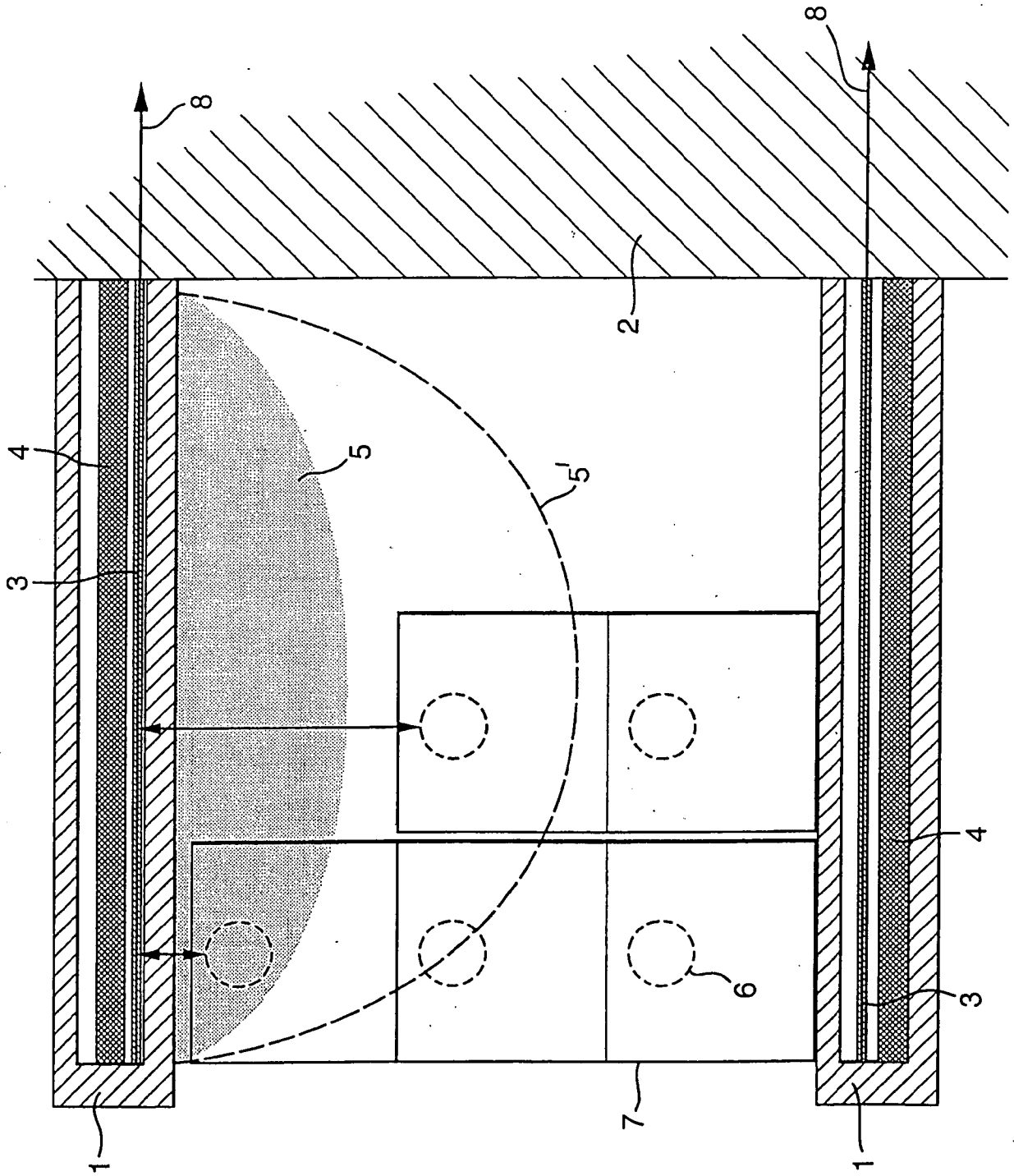


Fig.5.

INTERNATIONAL SEARCH REPORT

International Application No
PCT/US 00/11304

A. CLASSIFICATION OF SUBJECT MATTER
IPC 7 G06K17/00

According to International Patent Classification (IPC) or to both national classification and IPC

B. FIELDS SEARCHED

Minimum documentation searched (classification system followed by classification symbols)
IPC 7 G06K

Documentation searched other than minimum documentation to the extent that such documents are included in the fields searched

Electronic data base consulted during the international search (name of data base and, where practical, search terms used)

EPO-Internal, WPI Data, PAJ, IBM-TDB, INSPEC

C. DOCUMENTS CONSIDERED TO BE RELEVANT

Category *	Citation of document, with indication, where appropriate, of the relevant passages	Relevant to claim No.
X	WO 97 39398 A (ELDAT COMMUNICATION LTD) 23 October 1997 (1997-10-23) the whole document ---	1-11
X	WO 99 05660 A (CHECKPOINT SYSTEMS INC) 4 February 1999 (1999-02-04)	1-3, 6-8, 10, 11
Y	column 14, line 3 -column 44, line 19; figures 1-12 ---	4, 5, 9
Y	US 5 548 282 A (ESCRITT CHRIS ET AL) 20 August 1996 (1996-08-20) column 7, line 26 -column 10, line 20; figures 1-18 -----	4, 5, 9

Further documents are listed in the continuation of box C.

Patent family members are listed in annex.

* Special categories of cited documents :

- *A* document defining the general state of the art which is not considered to be of particular relevance
- *E* earlier document but published on or after the international filing date
- *L* document which may throw doubts on priority claim(s) or which is cited to establish the publication date of another citation or other special reason (as specified)
- *O* document referring to an oral disclosure, use, exhibition or other means
- *P* document published prior to the international filing date but later than the priority date claimed

- *T* later document published after the international filing date or priority date and not in conflict with the application but cited to understand the principle or theory underlying the invention
- *X* document of particular relevance; the claimed invention cannot be considered novel or cannot be considered to involve an inventive step when the document is taken alone
- *Y* document of particular relevance; the claimed invention cannot be considered to involve an inventive step when the document is combined with one or more other such documents, such combination being obvious to a person skilled in the art.
- *&* document member of the same patent family

Date of the actual completion of the international search

11 July 2000

Date of mailing of the international search report

18/07/2000

Name and mailing address of the ISA

European Patent Office, P.B. 5818 Patentlaan 2
NL - 2280 HV Rijswijk
Tel. (+31-70) 340-2040, Tx. 31 651 epo nl,
Fax: (+31-70) 340-3016

Authorized officer

Degraeve, A

INTERNATIONAL SEARCH REPORT

Information on patent family members

International Application No

PCT/US 00/11304

Patent document cited in search report	Publication date	Patent family member(s)	Publication date
WO 9739398 A	23-10-1997	AU 2175997 A	07-11-1997
		EP 0954806 A	10-11-1999
WO 9905660 A	04-02-1999	US 5963134 A	05-10-1999
		AU 8486598 A	16-02-1999
		EP 0996941 A	03-05-2000
US 5548282 A	20-08-1996	AT 171553 T	15-10-1998
		AU 666263 B	01-02-1996
		AU 6182594 A	10-11-1994
		DE 59406948 D	29-10-1998
		EP 0623873 A	09-11-1994
		JP 7143042 A	02-06-1995